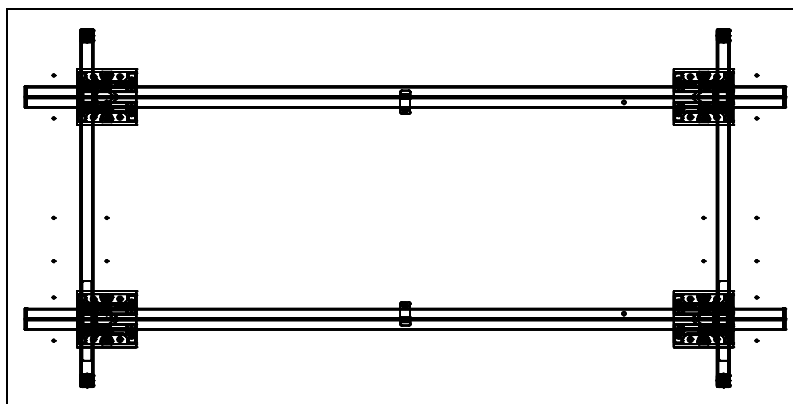
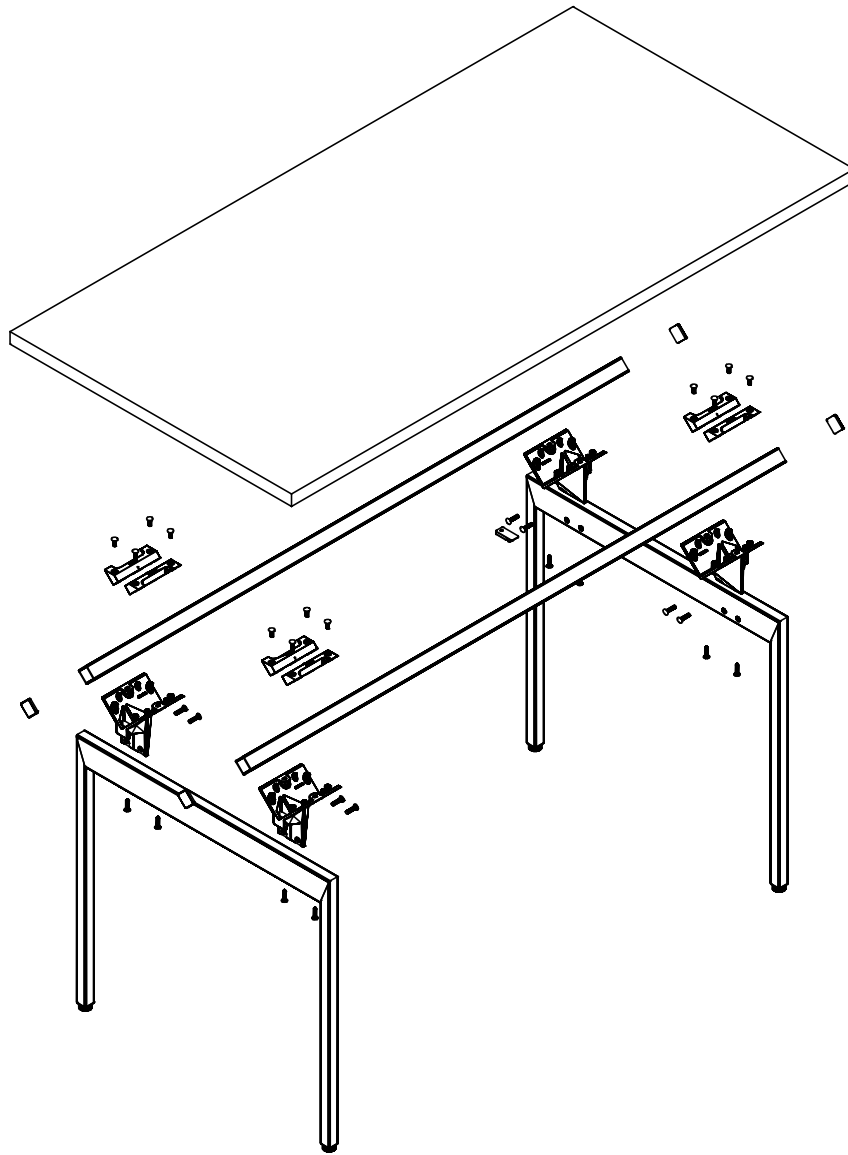
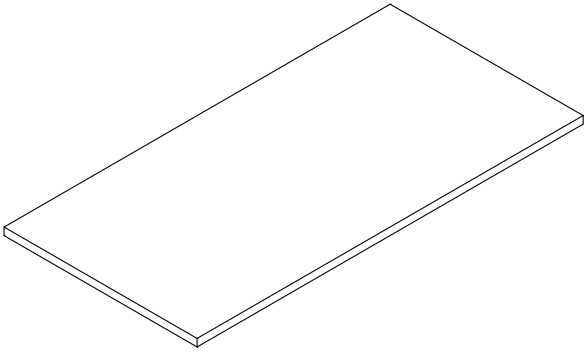


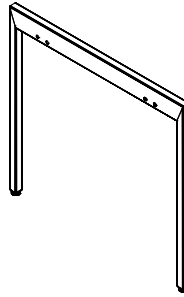
Antenna Workspaces™
Installation Instructions

Knoll

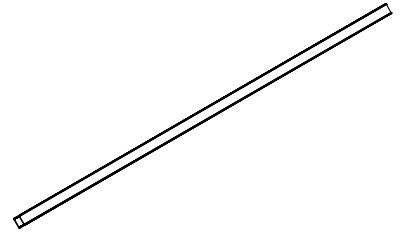




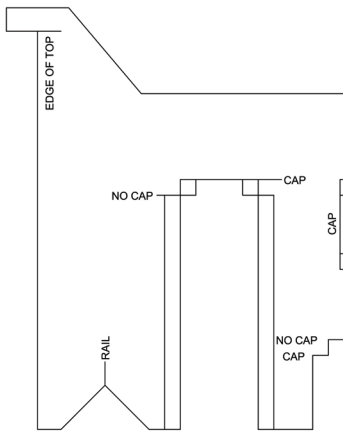
Worksurface (x1)



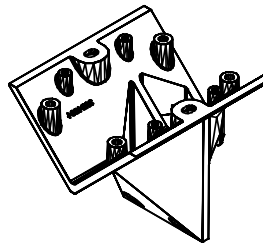
Leg (x2)



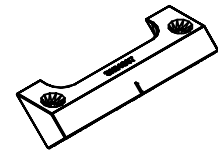
Horizontal Rail (x2)



Installation Gauge



Horizontal Rail Cradle (x4)



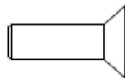
Cradle Clamp Bracket (x8)



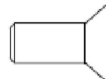
Worksurface Spacer (x2)



Horizontal Rail End Cap (x4)



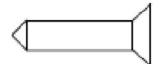
A Screw (x8)



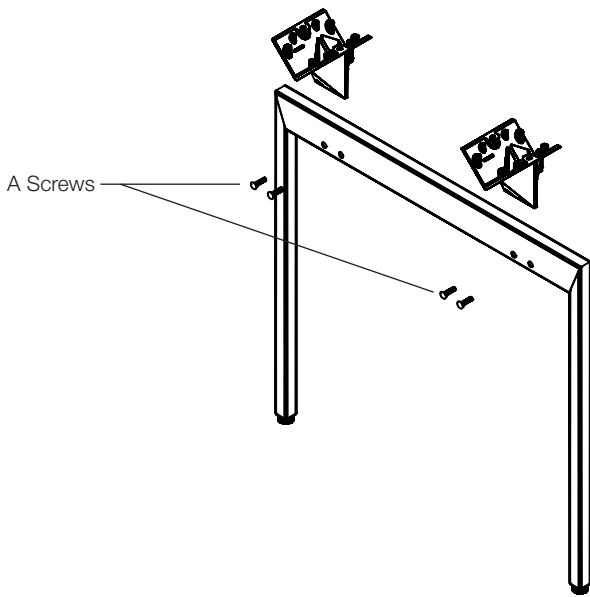
B Screw (x16)



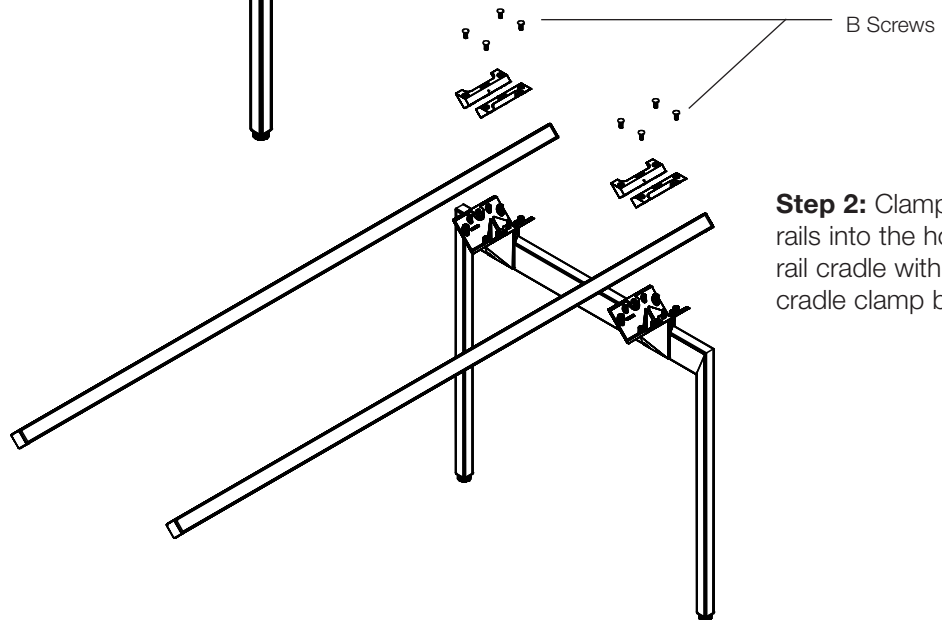
C Screw (x8)



D Screw (x2)



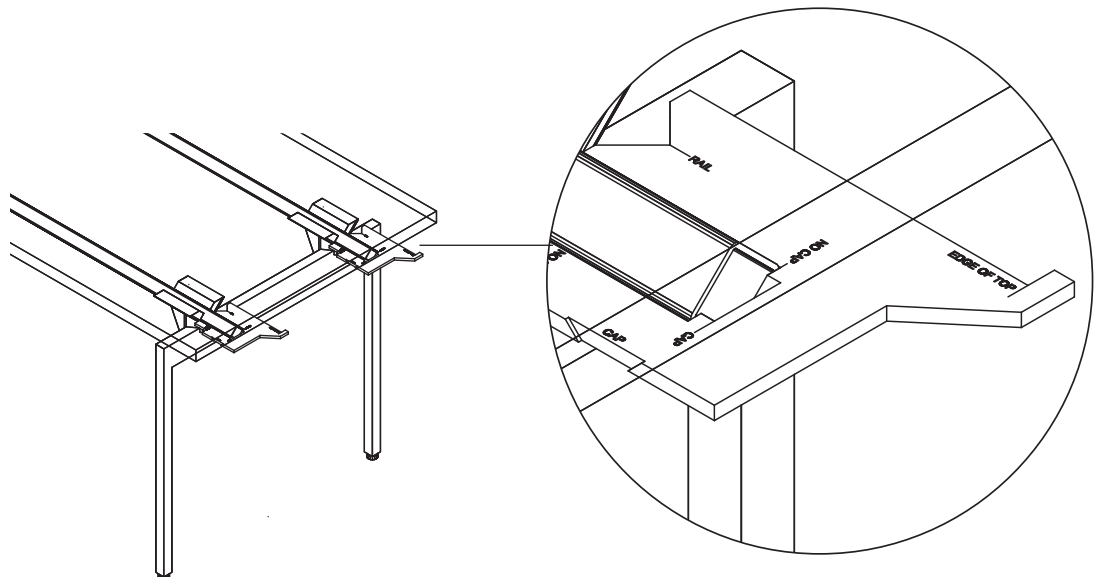
Step 1: Attach horizontal rail cradles to legs



Step 2: Clamp horizontal rails into the horizontal rail cradle with the cradle clamp brackets.

Step 3: Using the installation gauge, position the desk end leg into the correct location in relation to the end of the rail.

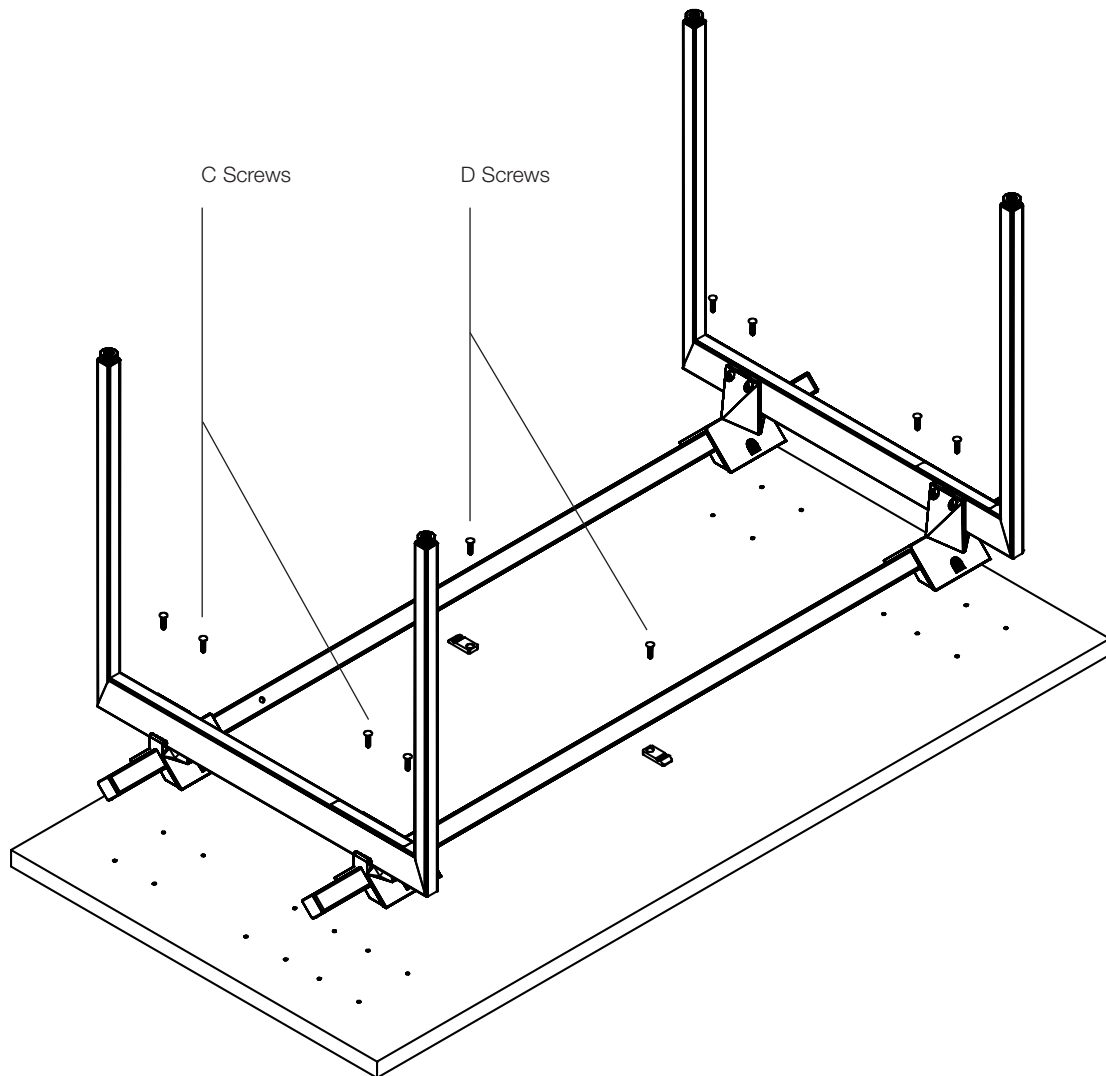
Step 4: Insert horizontal rail end caps into the ends of both horizontal rails.

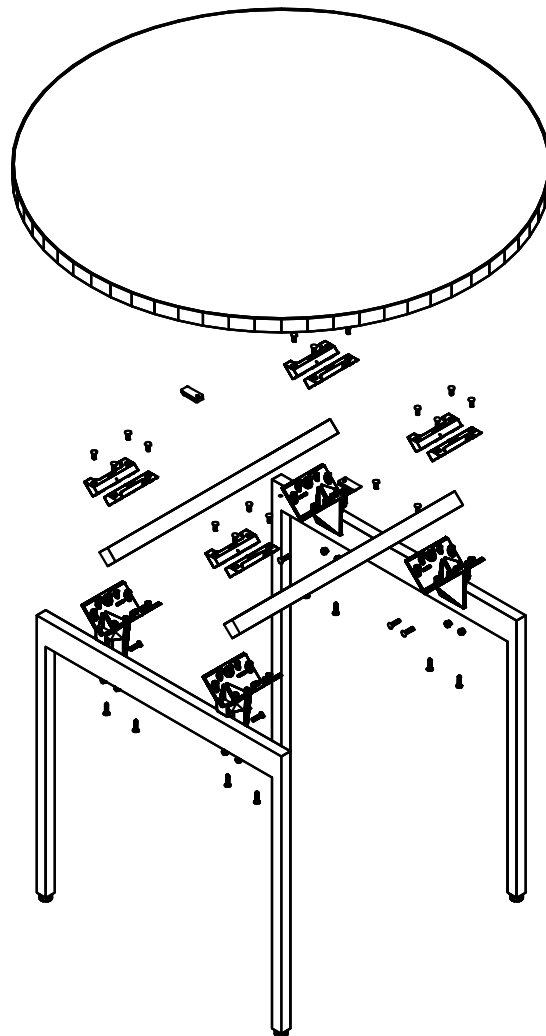
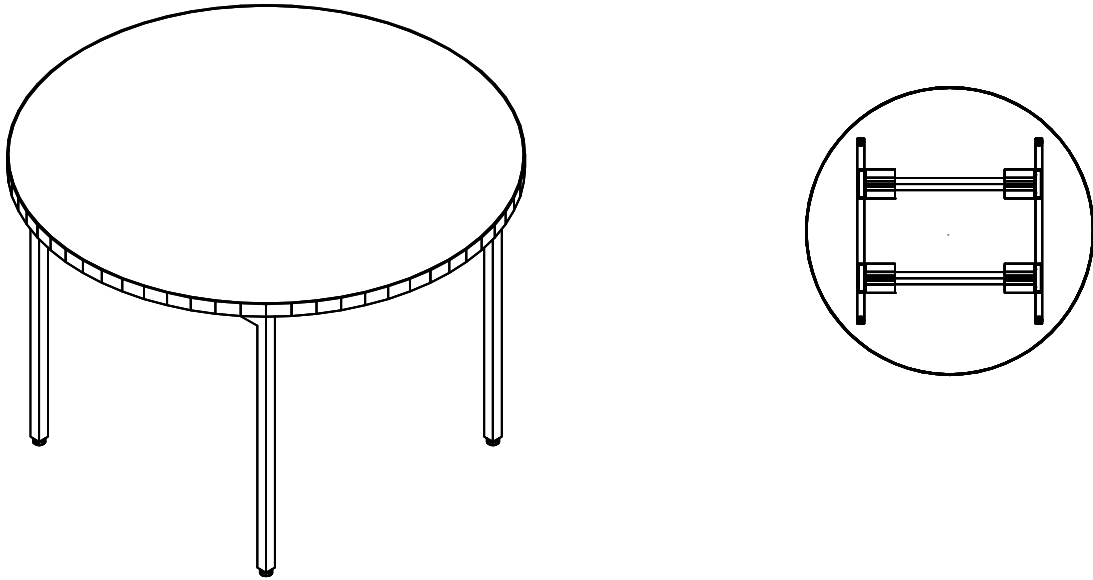


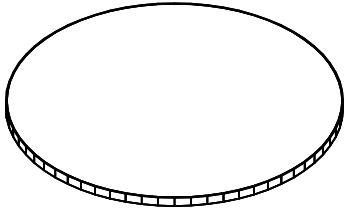
Step 5: Flip the base structure upside and place it on top of the upside down worksurface. Line up the screw holes in the worksurface this those in the horizontal rail cradle and attach the worksurface to the cradles.

Step 6: Insert the worksurface spacers midway along the rails and attach them to the worksurface.

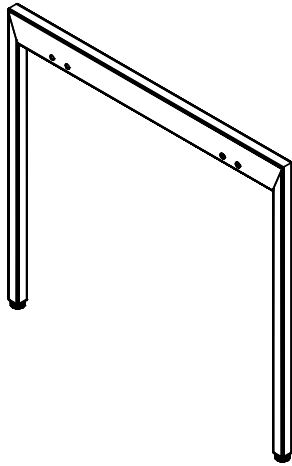
Step 7: Flip the desk back over and use glides to level.



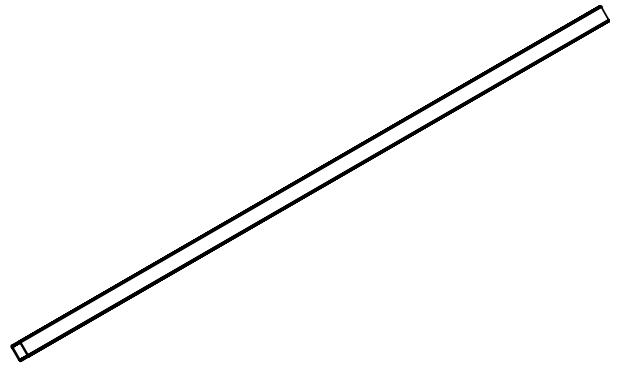




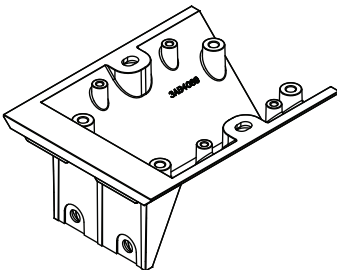
Worksurface x1



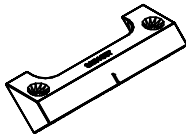
Leg x2



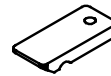
Horizontal Rail x2



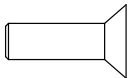
Horizontal Rail Cradle x4



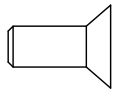
Cradle Clamp Bracket x8



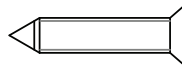
Worksurface Spacer x2



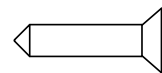
A Screw x8



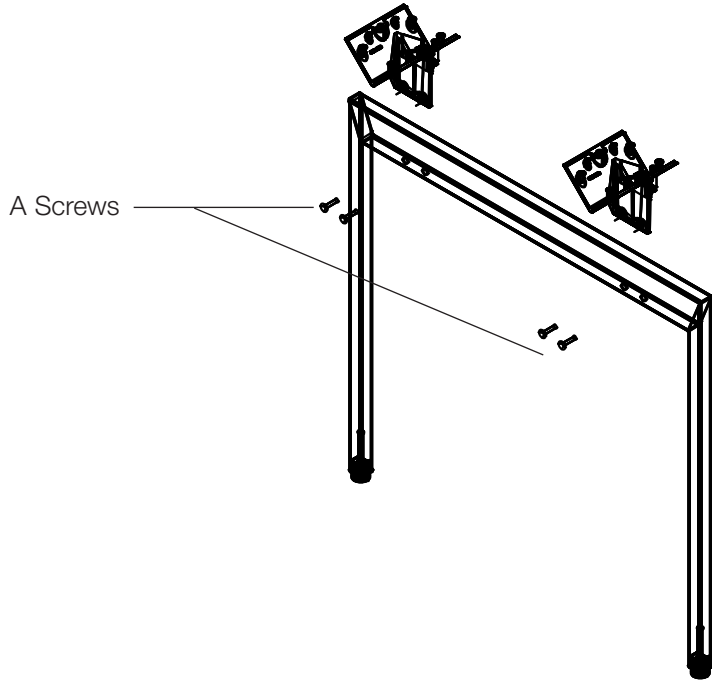
B Screw x16



C Screw x8

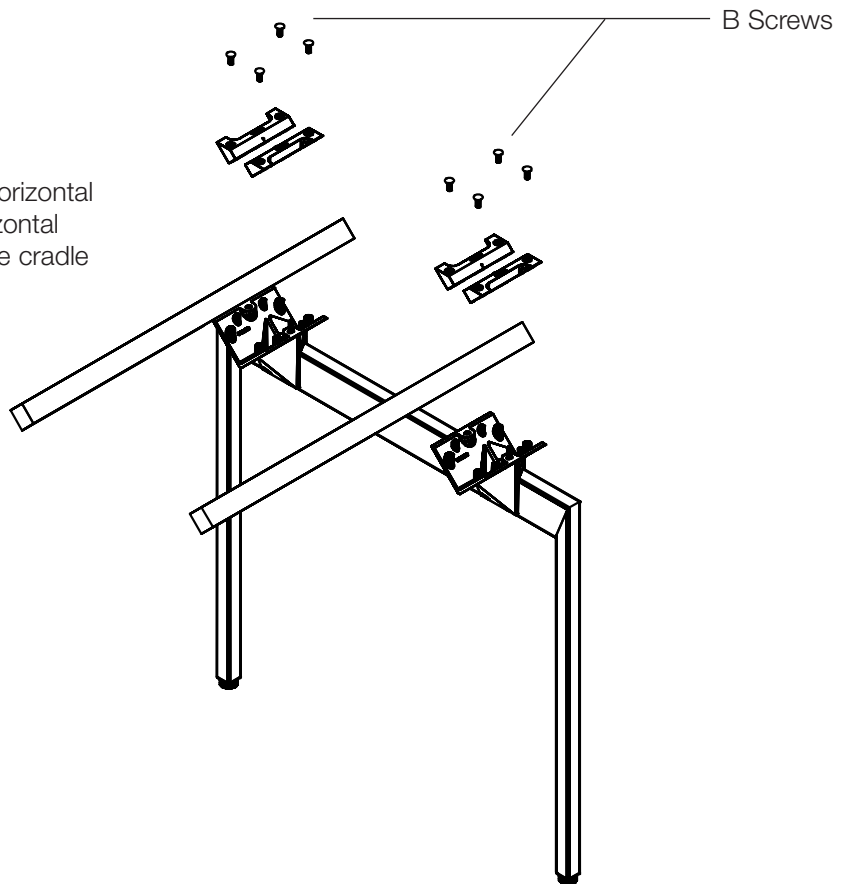


D Screw x2



Step 1: Attach horizontal rail cradles to legs

Step 2: Clamp horizontal rails into the horizontal rail cradle with the cradle clamp brackets.

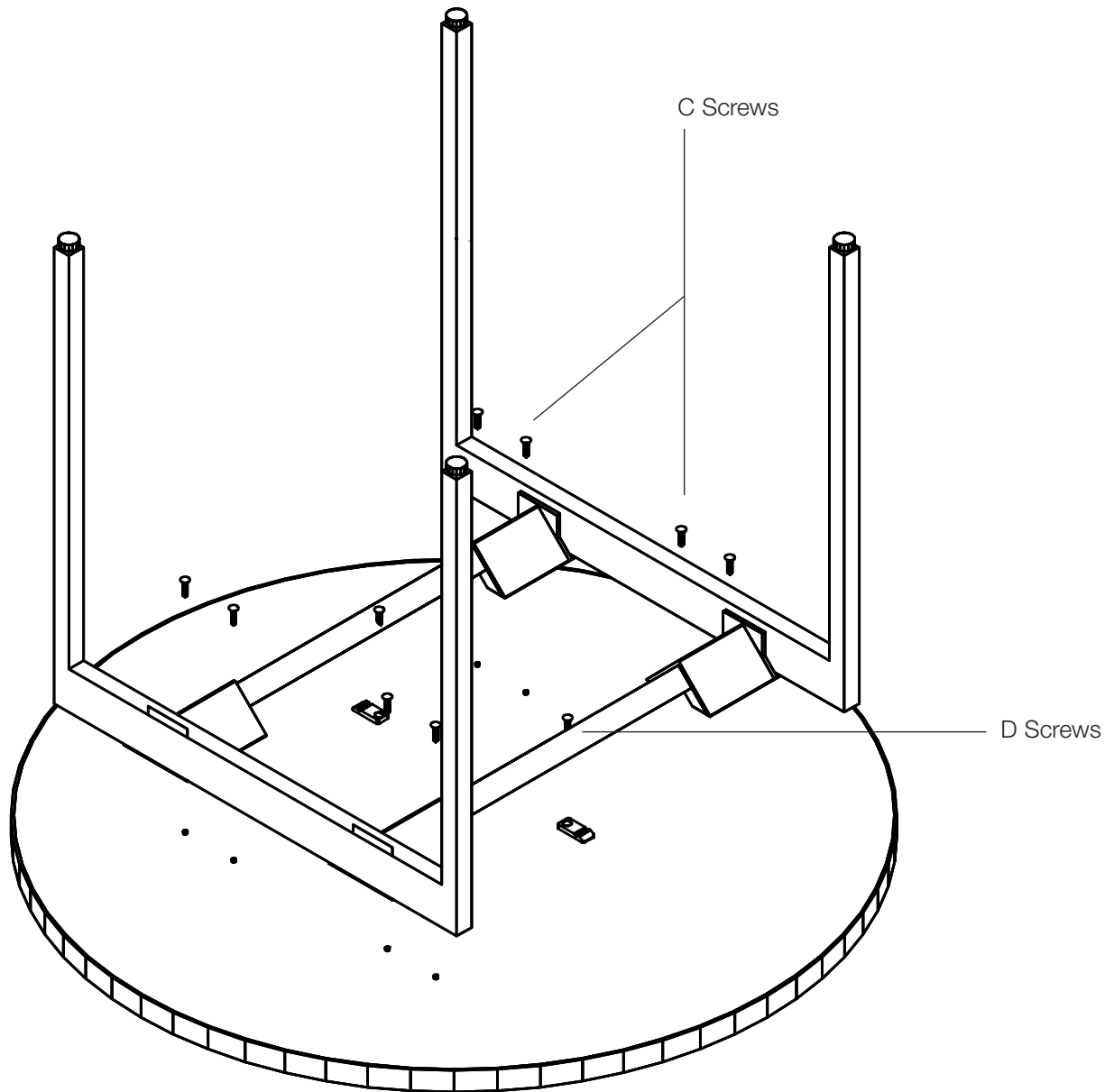


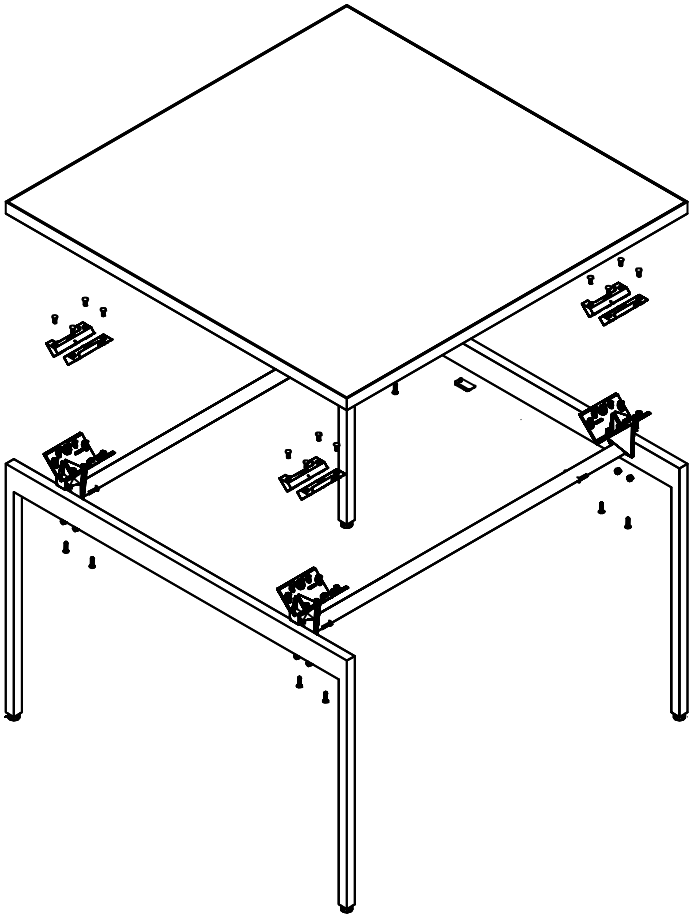
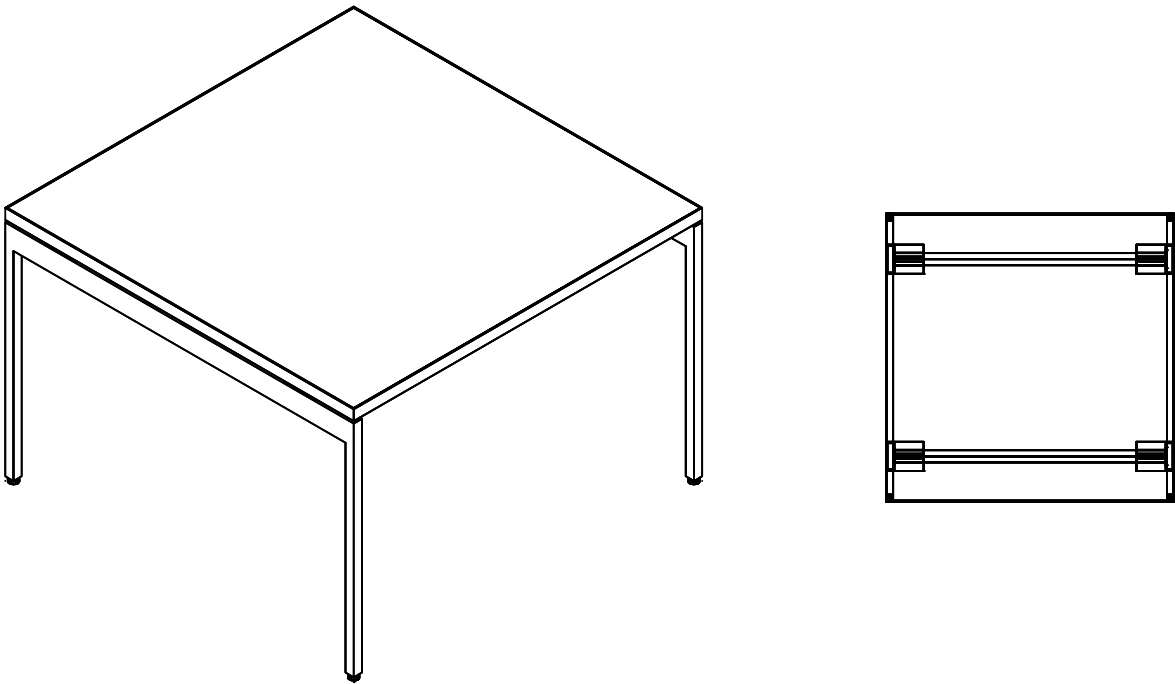
Round Table

Step 3: Flip the base structure upside and place it on top of the upside down worksurface. Line up the screw holes in the worksurface to those in the horizontal rail cradle and attach the worksurface to the cradles.

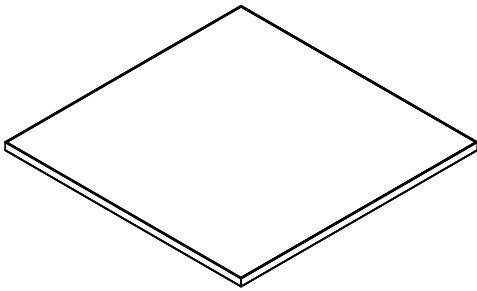
Step 4: Insert the worksurface spacers midway along the rails and attach them to the worksurface.

Step 5: Flip over the desk, use glides to level.

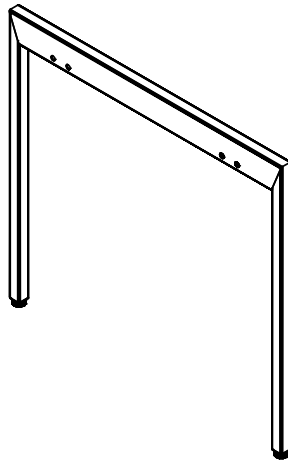




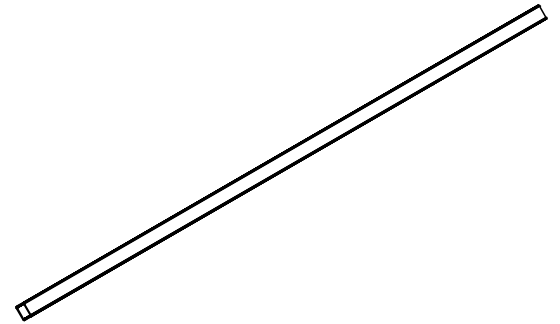
Square Table



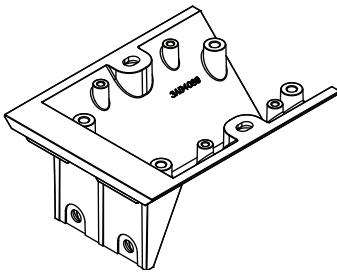
Worksurface x1



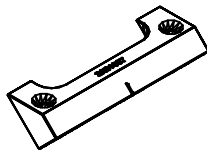
Leg x2



Horizontal Rail x2



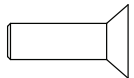
Horizontal Rail Cradle x4



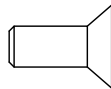
Cradle Clamp Bracket x8



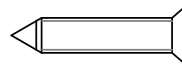
Worksurface Spacer x2



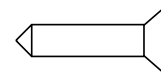
A Screw x8



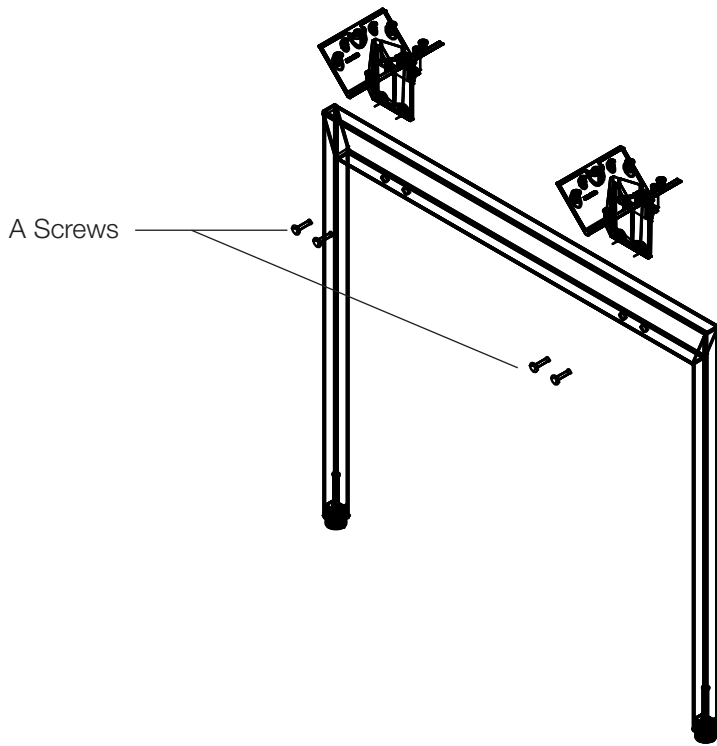
B Screw x16



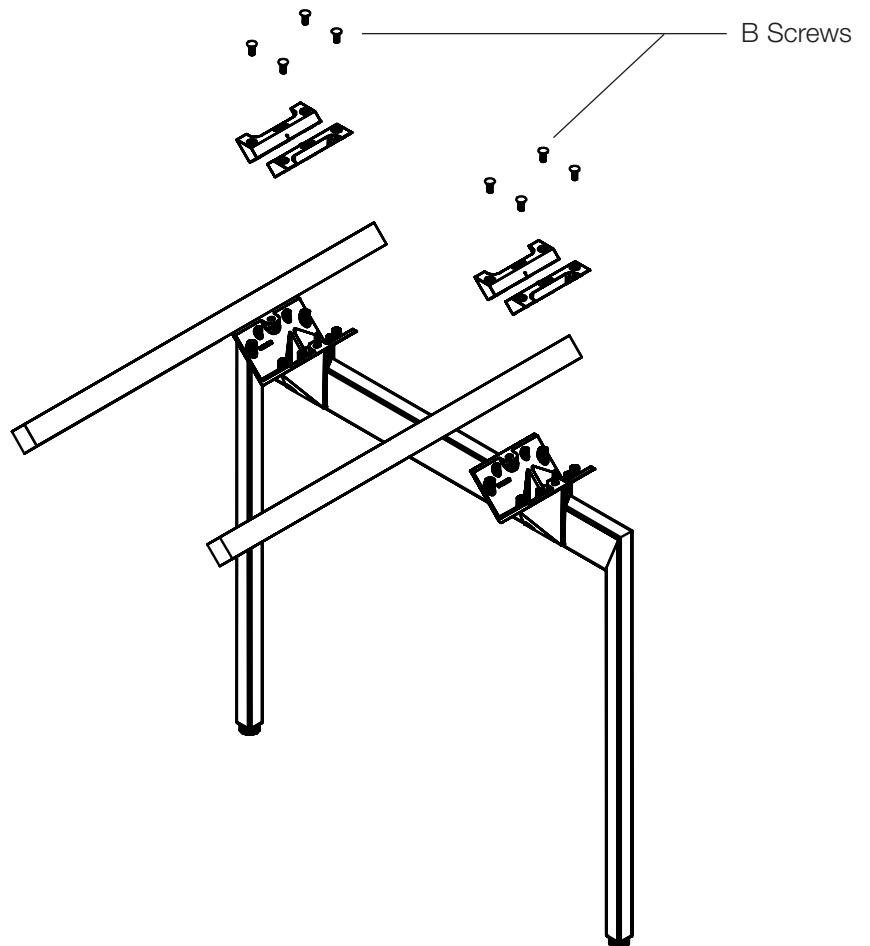
C Screw x8



D Screw x2



Step 1: Attach horizontal rail cradles to legs



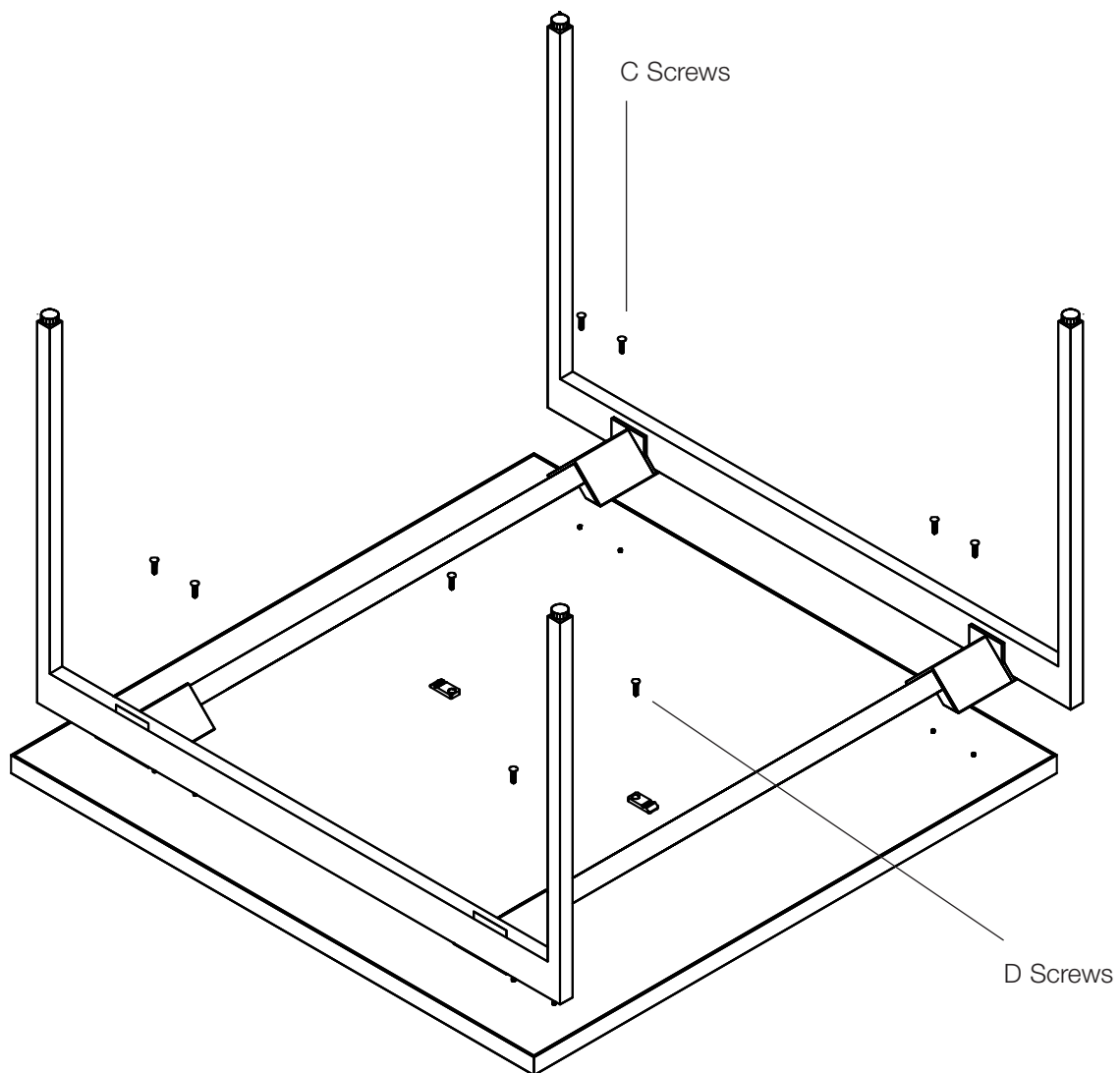
Step 2: Clamp horizontal rails into the horizontal rail cradle with the cradle clamp brackets.

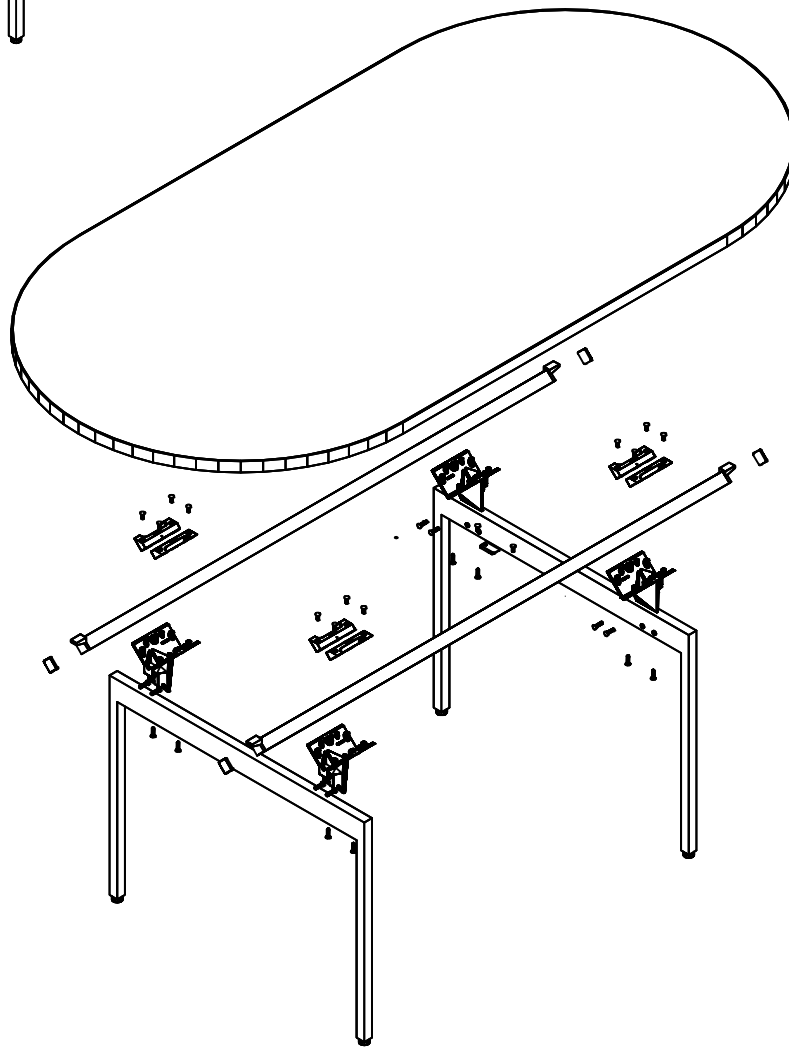
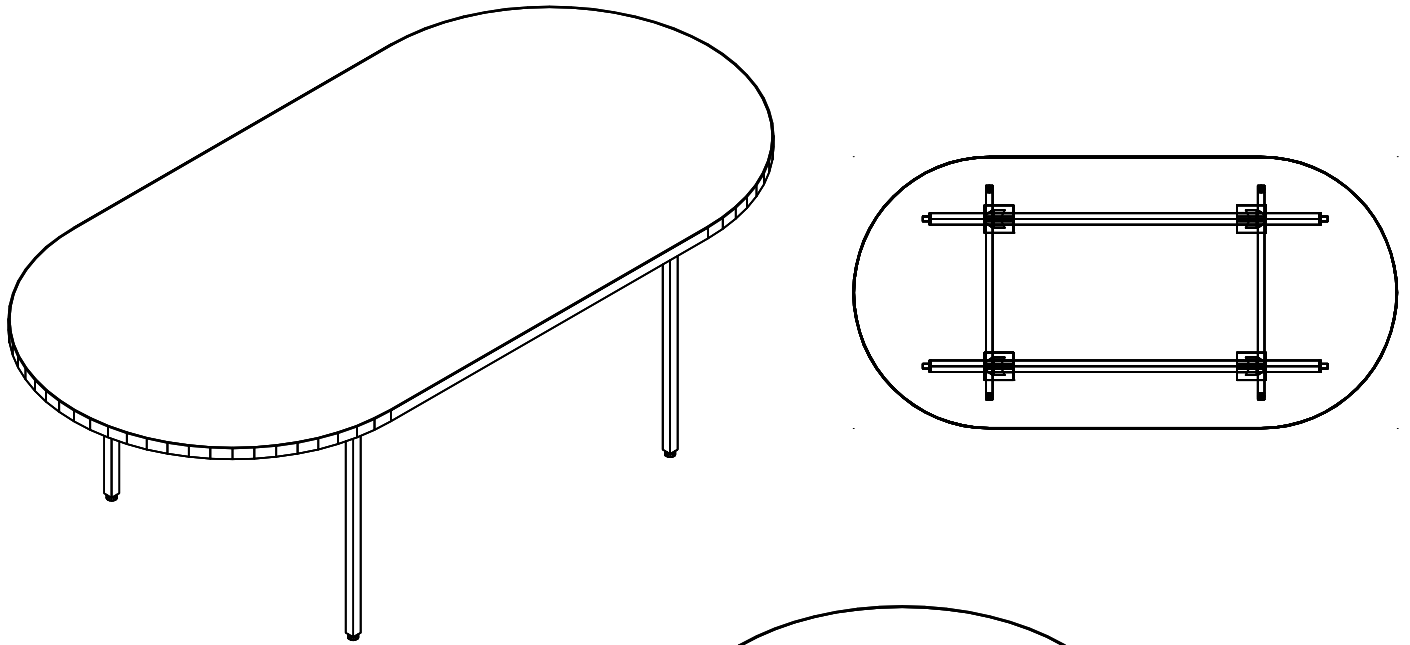
Square Table

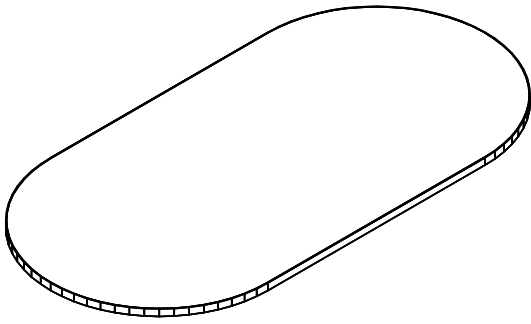
Step 3: Flip the base structure upside and place it on top of the upside down worksurface. Line up the screw holes in the worksurface to those in the horizontal rail cradle and attach the worksurface to the cradles.

Step 4: Insert the worksurface spacers midway along the rails and attach them to the worksurface.

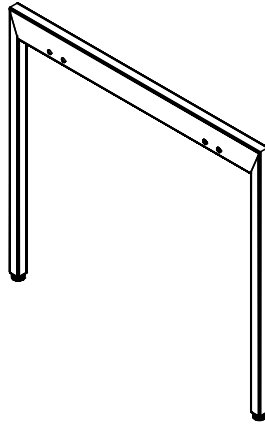
Step 5: Flip over the desk, use glides to level.



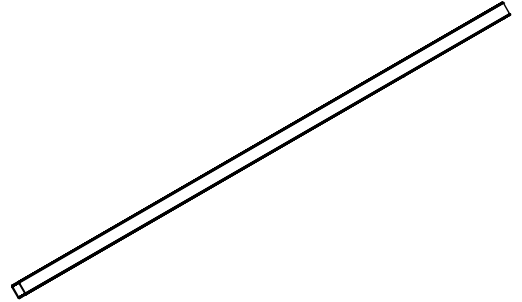




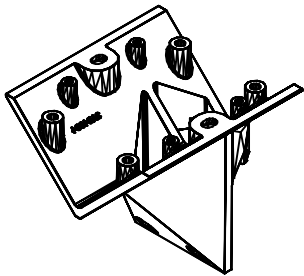
Worksurface x1



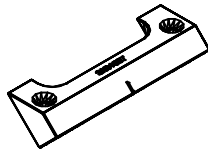
Leg x2



Horizontal Rail x2



Horizontal Rail Cradle x4



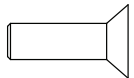
Cradle Clamp Bracket x8



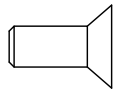
Worksurface Spacer x2



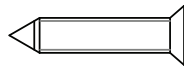
Horizontal Rail End Cap x4



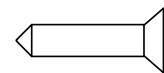
A Screw x8



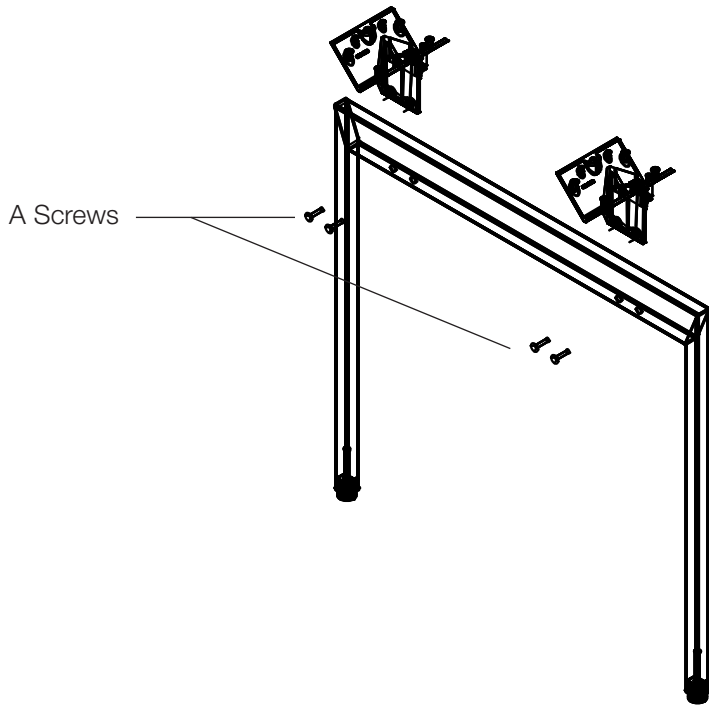
B Screw x16



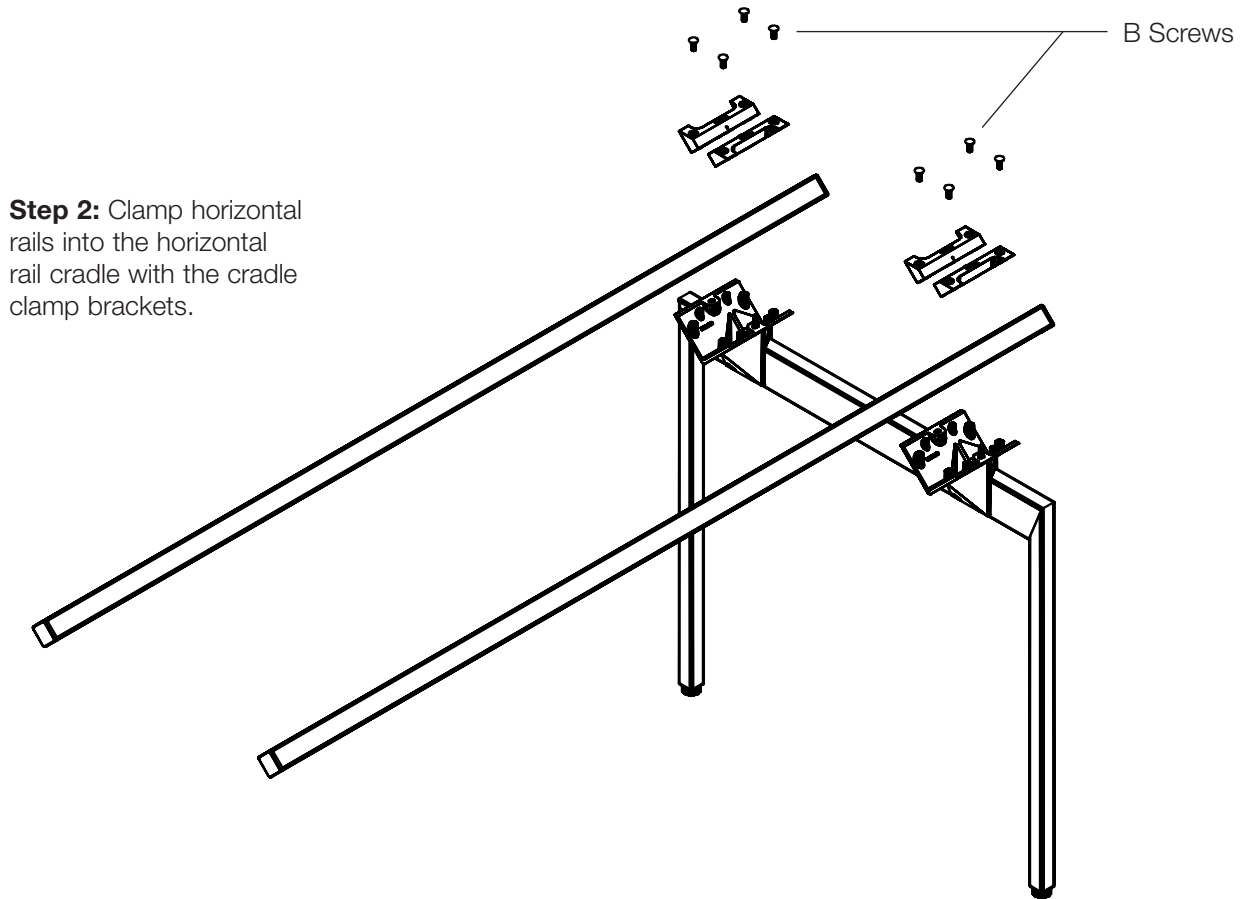
C Screw x8



D Screw x2



Step 1: Attach horizontal rail cradles to legs

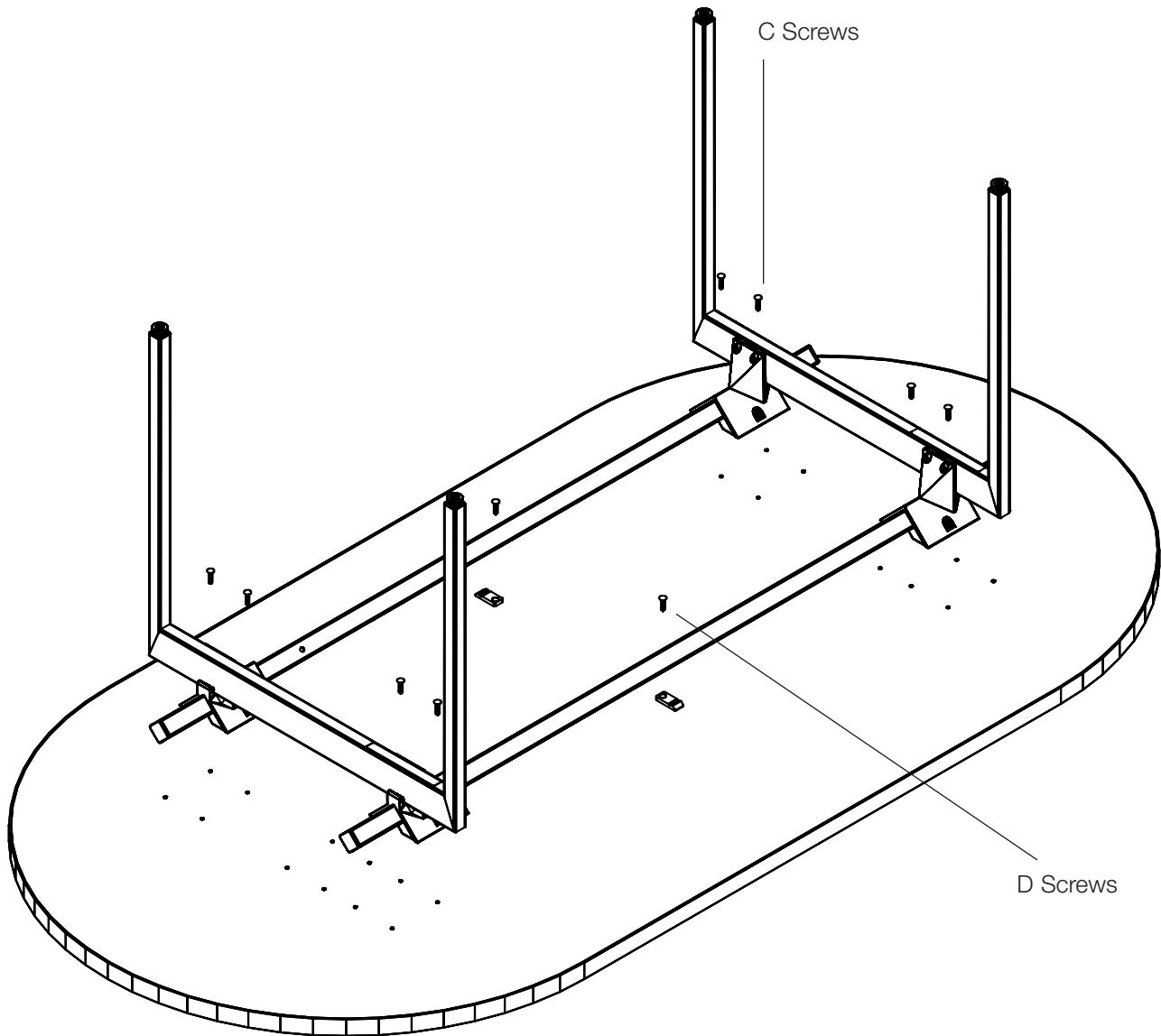


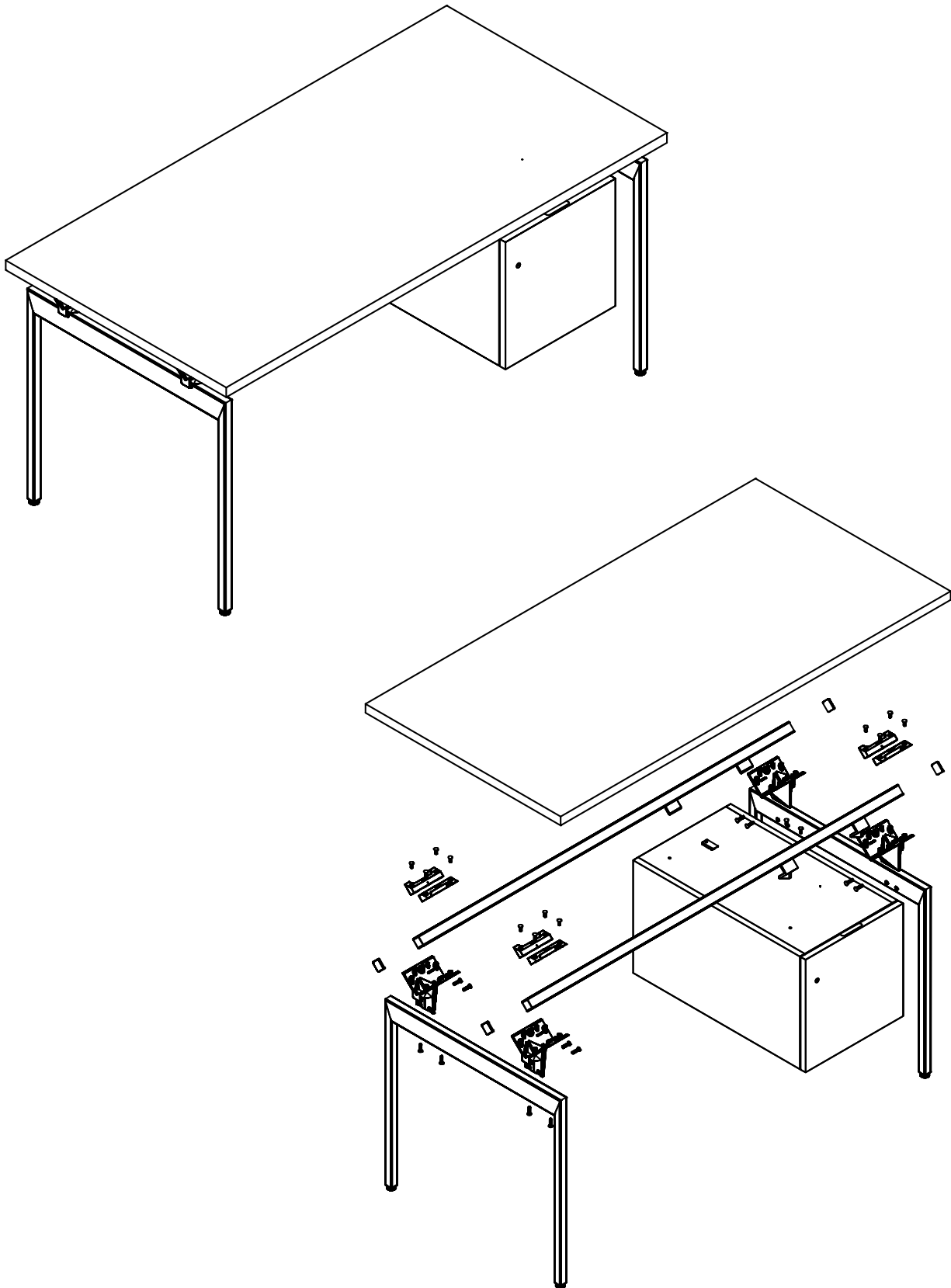
Step 2: Clamp horizontal rails into the horizontal rail cradle with the cradle clamp brackets.

Step 3: Flip the base structure upside and place it on top of the upside down worksurface. Line up the screw holes in the worksurface to those in the horizontal rail cradle and attach the worksurface to the cradles.

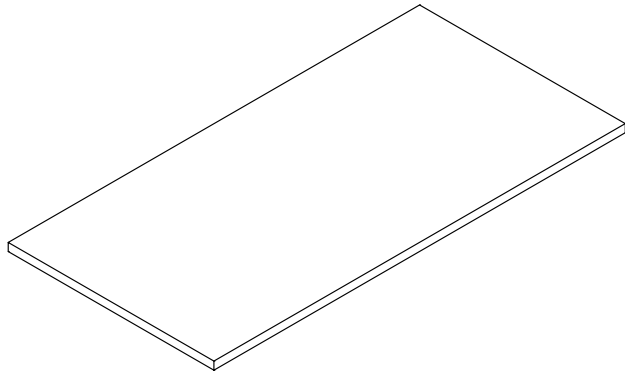
Step 4: Insert the worksurface spacers midway along the rails and attach them to the worksurface.

Step 5: Flip over the desk, use glides to level.

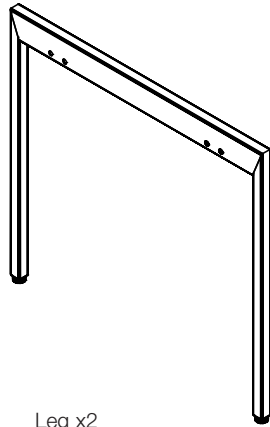




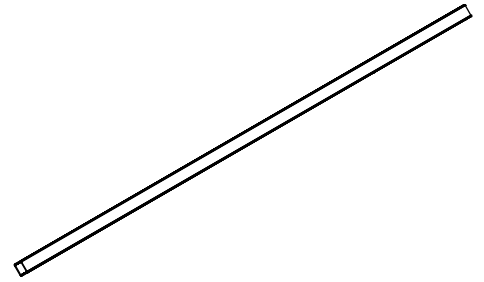
Desk With Suspended File



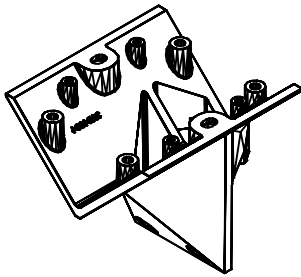
Worksurface x1



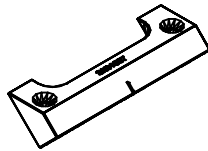
Leg x2



Horizontal Rail x2



Horizontal Rail Cradle x4



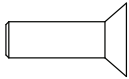
Cradle Clamp Bracket x8



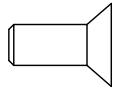
Worksurface Spacer x2



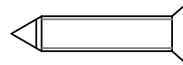
Horizontal Rail End Cap x4



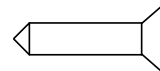
A Screw x8



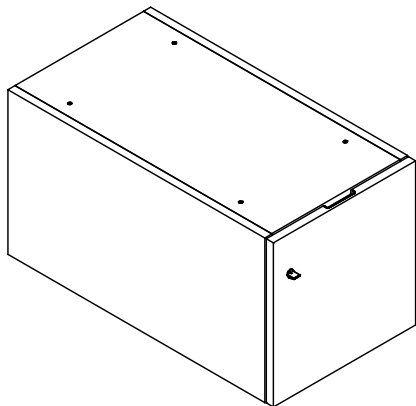
B Screw x16



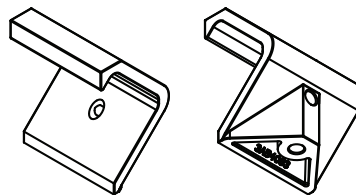
C Screw x8



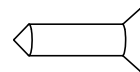
D Screw x2



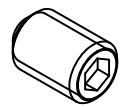
Suspended Storage Unit x1



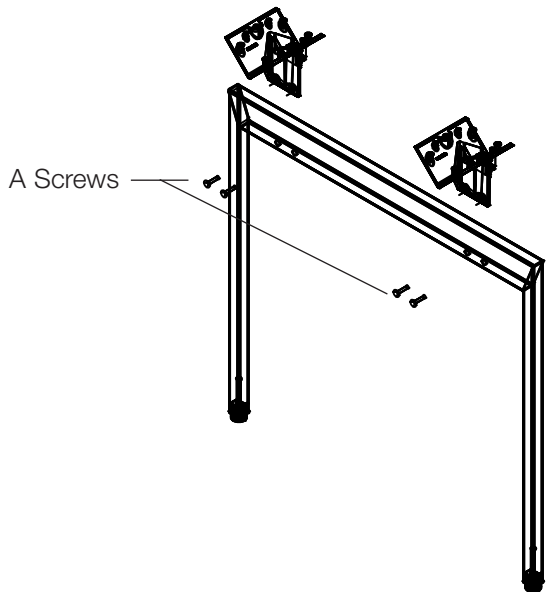
Storage Hanging Brackets x4



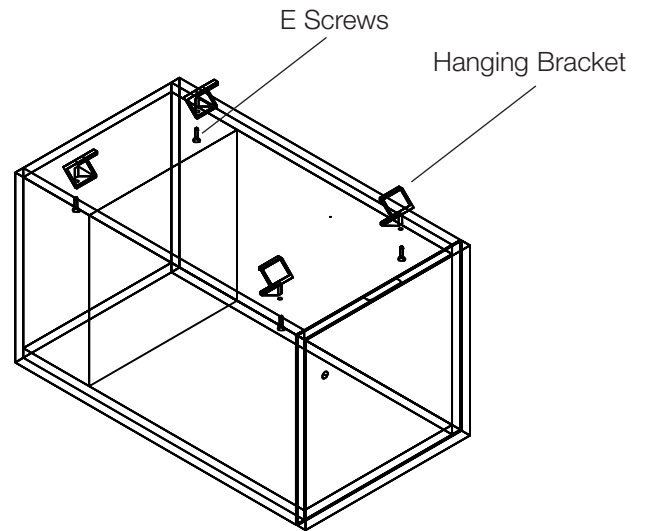
E Screw x4



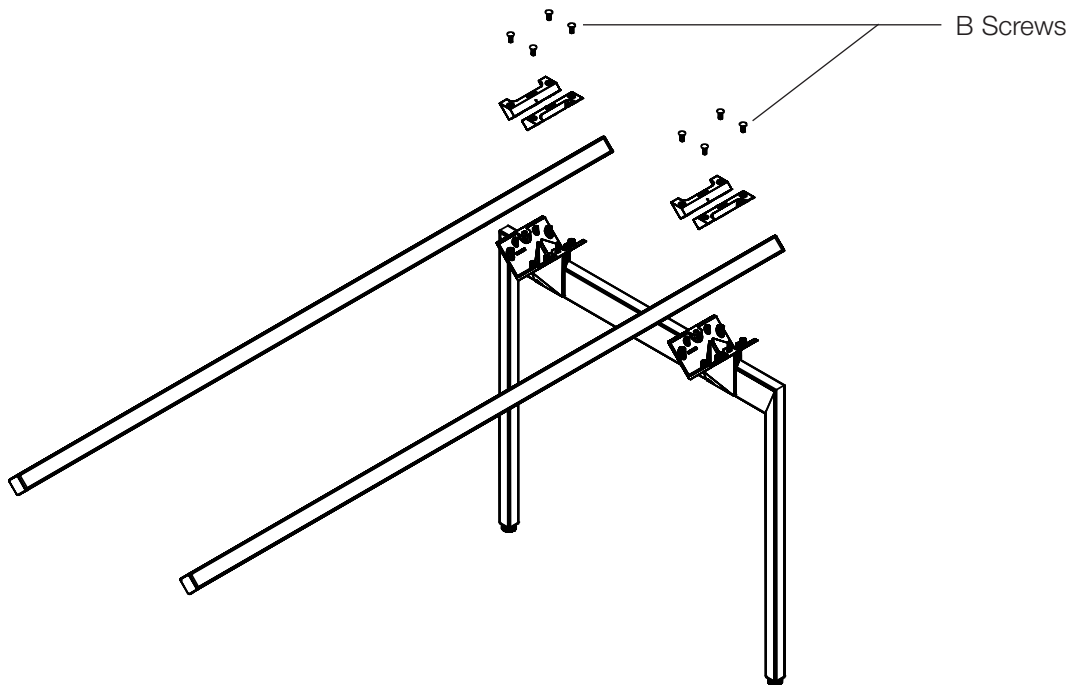
F Set Screw x4



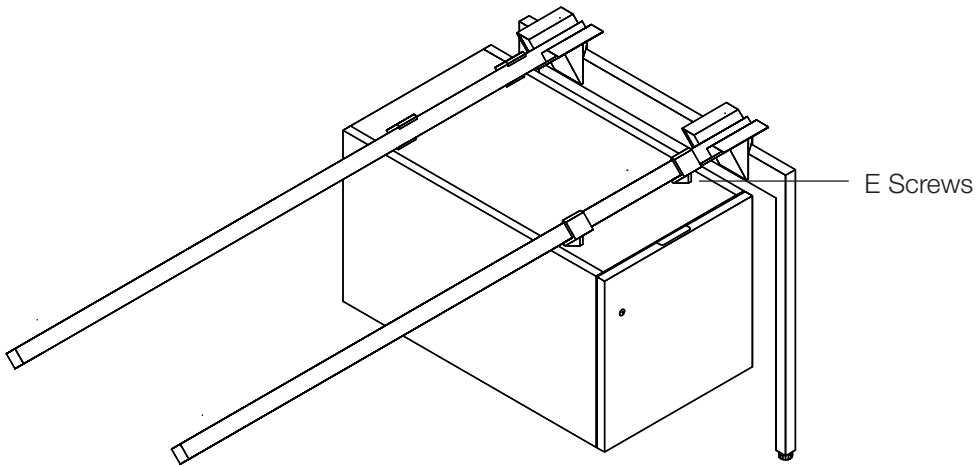
Step 1: Clamp horizontal rails into the horizontal rail cradle with the cradle clamp brackets.



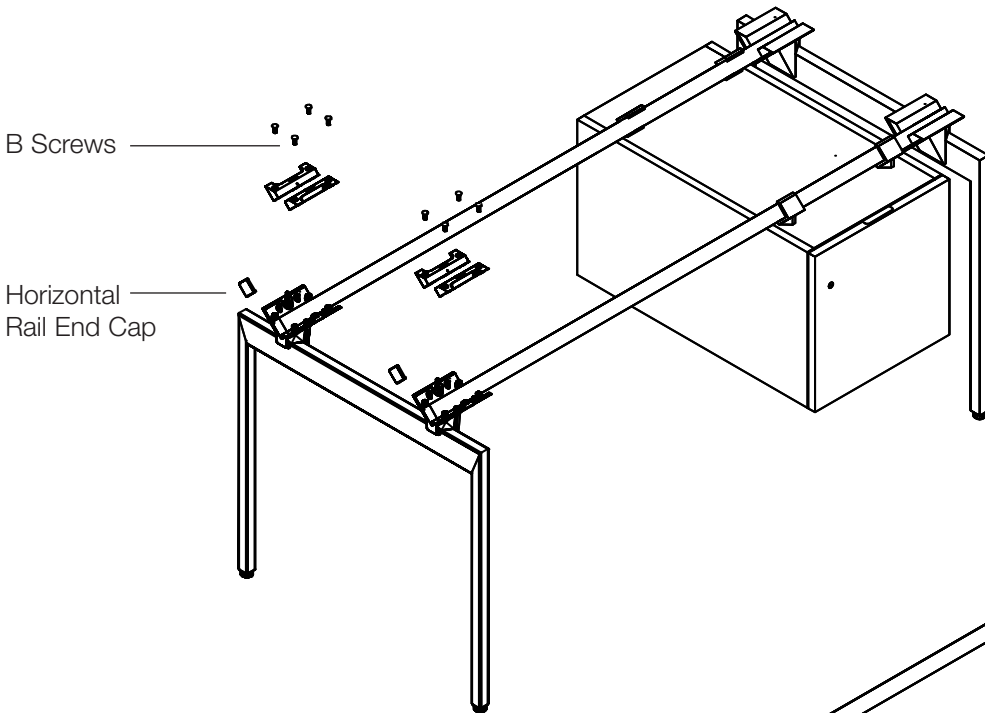
Step 2: Slide hanging brackets for storage cabinet along rails into desired position and tighten screw E.



Step 3: Clamp horizontal rails into horizontal rail cradle with the cradle clamp brackets on one end.

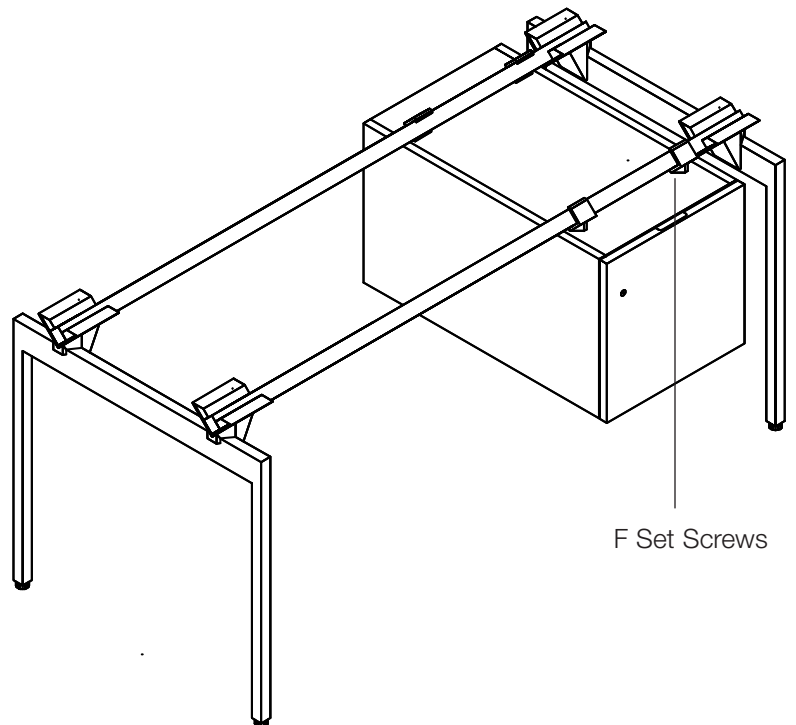


Step 4: Slide hanging brackets for storage cabinet along rails into desired position and tighten screw E.



Step 5: Install remaining leg and cradle clamps to rails and insert horizontal rail end caps to both ends of horizontal rails.

Step 6: Before top is fastened to base assembly, use 4 set screws (F) to secure hanging brackets into position on rail.



Step 7: Flip the base structure upside and place it on top of the upside down worksurface. Line up the screw holes in the worksurface to those in the horizontal rail cradle and attach the worksurface to the cradles.

Step 8: Insert the worksurface spacers midway along the rails and attach them to the worksurface.

Step 9: Flip over the desk, use glides to level.

